

EPIC Symphony

LED COLOR CHANGING MUSIC INTERFACE



YOU COMMAND THE NIGHT!

The Epic Symphony is a high end sound activated music light controller unit that allow you to easily create a dynamic environment. The symphony has multiple functions: pre-programmed light sequences for instant plug and play effects or custom synchronization using your microphone, ipod or phone for real-time music analysis. The Epic Symphony works independently or integrated into a whole-house control system.



HOW IT WORKS

The Epic Symphony uses frequency detection to control lighting effects to the music being played. The color response can be based on frequency or instruments. **Perfect for watching concerts in your home theater!** Choose the color channel you want to pulse on chosen instruments as well as vocals. The Epic Symphony has **multiple music and movie modes**. There are 5 music modes, 4 movie modes, and even 1 special EQ mode. All of these presets come standard and allow you to create a custom setting.

TRUE BEAT TECHNOLOGY

- ▶ Analyzes a variety of frequencies
- ▶ Controls LED channels to desired ambiance
- ▶ RS232 Controller allows endless output options
- ▶ Pre-programmed for instant effects
- ▶ Custom App interface available for iPad & iPhone

COMMAND YOUR ENVIRONMENT

Epic's Symphony Controller can be used in conjunction with Epic Sky's WiFi Interface, IR Receiver, Epic Melody Controllers and our Remote Momentary Switch

Epic Sky Technology

A Division of Impact Lighting, Inc.

2101 West Central Blvd. Orlando, Florida 32805 USA • Phone: 1.800.507.5714 • Email: sales@epicskytech.com

www.epicskytech.com



EPIC SYMPHONY



KEY FEATURES:

- RGBW 4 Channel LED output
- No programming required
- Controllable via RS232 serial commands
- 2 music inputs
- Line level in via line level and microphone
- Closed contact control for on and off operation
- Computable with most industry RGB LED controllers (constant current or constant voltage LED's)
- 3.5mm stereo plug in input for line level and microphone

BENEFITS:

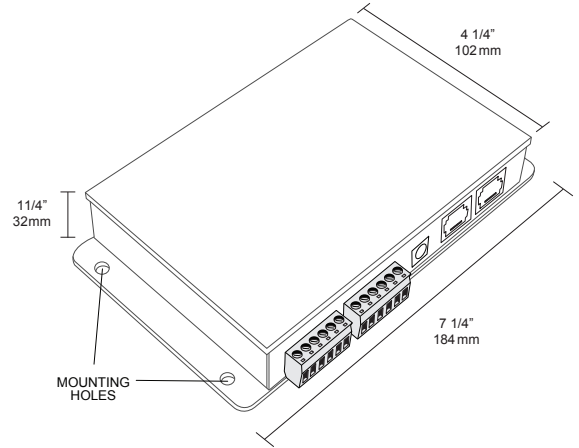
- Multiple music and movie modes *
 - Theater Mode
 - action, romance, comedy, horror
 - Music Mode
 - rock, techno, classic, jazz, R&B, EQ mode
 - Stand Alone
- Addressable up to 4 different musically seperately controlled zones from 1 serial port.
- Passes 12V or 24V LED's (Requires separate 12V or 5W power supply. Sold separately)

*** MODES:**

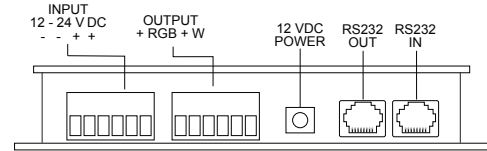
Mode 1	Rock	Mode 7	Action
Mode 2	Techno	Mode 8	Romance
Mode 3	Classic	Mode 9	Comedy
Mode 4	Jazz	Mode 10	Horror
Mode 5	R & B	Mode 11	Bypass
Mode 6	EQ		

The EPIC SYMPHONY is a music interface that analyzes a variety of frequencies and controls LED channels accordingly. The Symphony is completely controllable via RS232 serial or momentary switch for music reactive light shows.

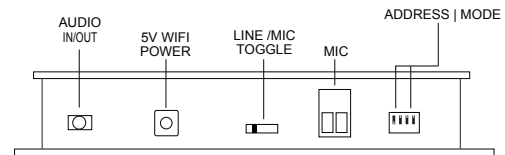
Easily create a dynamic environment that dances with music from any device or use our preprogrammed light sequences for easy plug and play effects. The Symphony works independently or integrated into a whole-house control system.



BACK



FRONT



ORDERING

MODEL

EPIC-Symphony

RS232
Music To Light
Controller

CAN BE USED IN CONJUNCTION WITH:

- Advanced RS232 Controller
- WiFi Interface
- Remote Momentary Switch

Epic Sky Technology

A Division of Impact Lighting, Inc.

2101 West Central Blvd. Orlando, Florida 32805 USA • Phone: 1.800.507.5714 • Email: sales@epicskytech.com

www.epicskytech.com