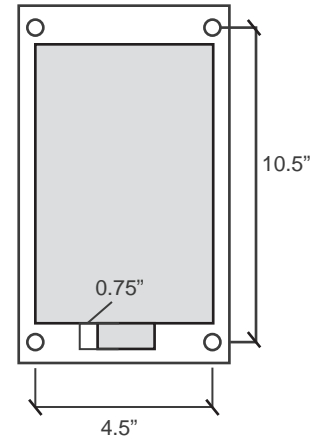
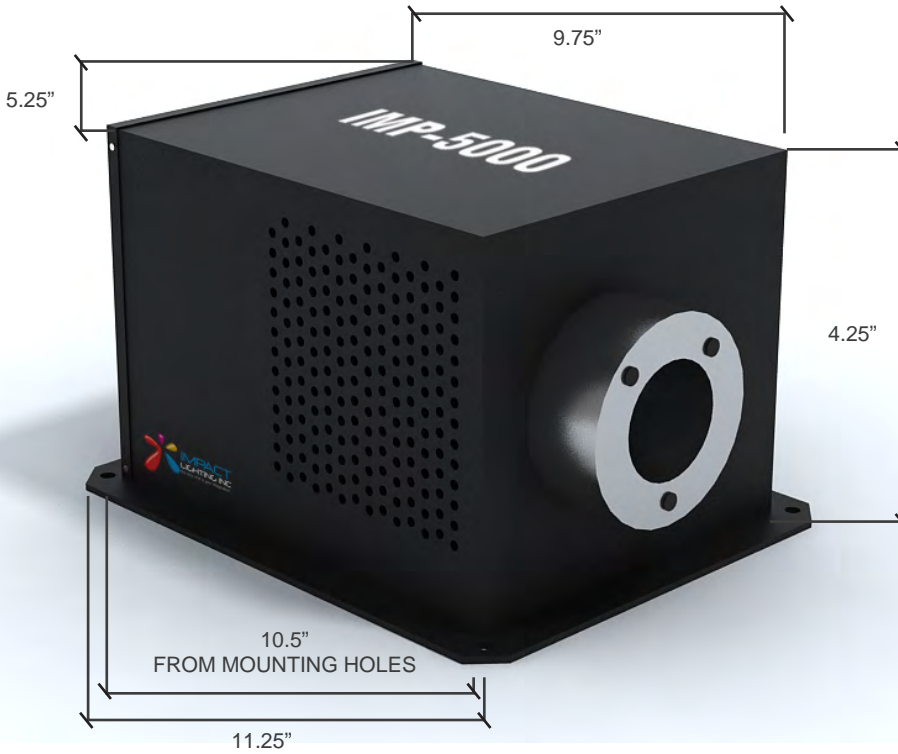


AGENT: _____
 PROJECT: _____
 TYPE: _____
 QUANTITY: _____
 Rev: 1110 Copyright © 2010 Impact Lighting Inc.

IMP-5000-DIS RGB+M ILLUMINATOR



IMP-5000 DIS-4 SERIES

The IMP-5000 DIS-4 Series LED Light Source is a 4-channel DMX illuminator. 3 Channels for RGB and 1 Channel for Animation Motor (5th channel for amber or white optional) . This light source can be used as a standalone or can be prgrammable using DMX 512.

HIGH CONTROL RESOLUTION

The IMP-5000 DIS Series LED Light Source supports a 15-bit control resolution per output channel for accurate dimming and fine color mixing.

LOW EMI

Slow-rate controlled dimming and shielded conductors keep the driver's EMI emissions at a very low level.

ANIMATION

IMP-5000 DIS Series LED Light Source has a 10rpm (top speed) DC motor than can be speed controlled via DMX with an attached sparkle wheel.

ROBUST THERMAL MANAGEMENT

The Impact Lighting Inc. Sync® module creates turbulent, pulsated air-jets that can be directed precisely to locations where thermal management is needed. The vortex-dominated SynJet flow enhances small-scale mixing near the heated surfaces to yield higher effective heat transfer at low-volume flow rates compared to conventional air movers. The SynJet flow is created using a patented actuator technology and proprietary fluidic packaging expertise.

FEATURES

- USITT DMX512A- and IMP-5000 Sync-compatible

ADVANTAGES

- Accurate, smooth dimming and high-res colour mixing
- Drive, control and thermal protection per fixture
- Easy network setup
- Low EMI

SPECIFICATION

PARAMETER	MAX RATING
Input Voltage	100-240 VAC
Amps	0.8 Max (on white)
Wattage	60 W Max (on white)
Hz	50/60
Fiber Capacity	700
Operating Temp	-10°C to 50°C

IMP5000 - - -

Device Color

- PW Pure White
- WW Warm White
- BL Blue only
- MX Mixed RGB
- MA Mixed RGBA
- MW Mixed RGBW

Color Wheel

- SP Sparkle
- NS No Sparkle Wheel